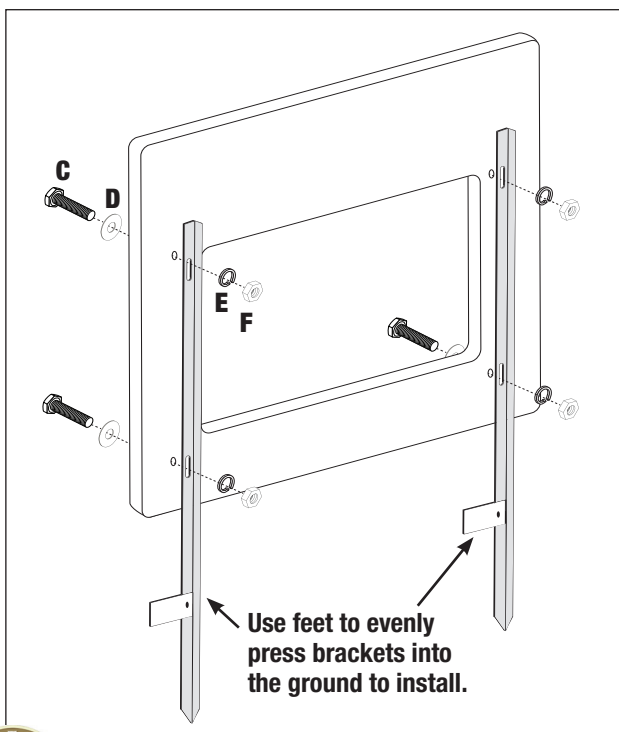
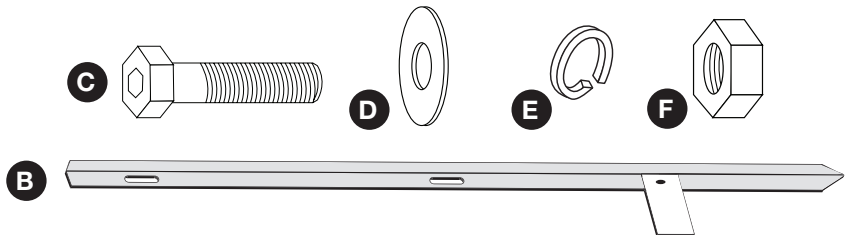
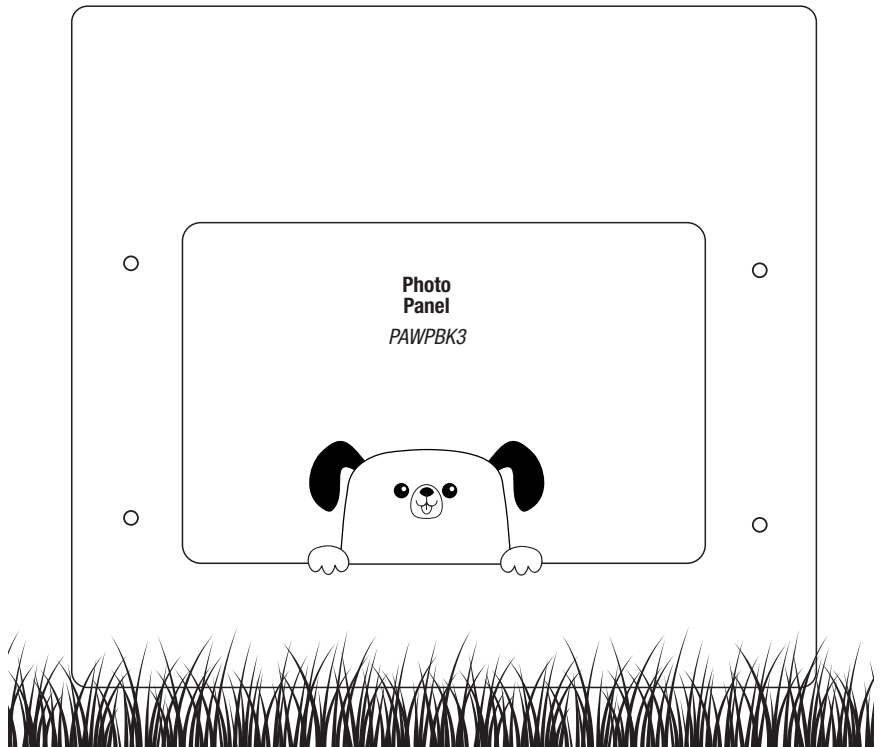
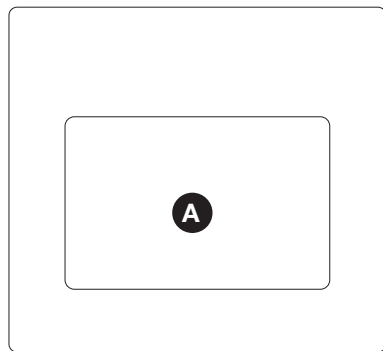


Dog Park Photo Booth

Parts Include:

(Dog not included)

- A. 1 Photo Panel
- B. 2 leg brackets
- C. 4 Bolts
- D. 4 Washers
- E. 4 Locking Washers
- F. 4 Nuts



Note: Examine all packing material before discarding, or you may lose important hardware components.

Safety Note: Do not lean on installed photo booth, it is not intended to withstand significant weight.

GREAT AMERICAN'S PHOTO BOOTH PANELS:

- ★ Assembles in minutes!
- ★ Creates instant excitement for pet owners
- ★ Perfect size for pictures with dogs large and small

Assembly Instructions:

1. To attach the leg brackets (B) to the photo panel (A), lay the panel on its' face, line up the holes in the brackets with the pre-drilled holes on the back of the panel. Attach using the nuts (F), bolts (C) and washers (D,E) as shown in the diagram at left.

2. Two persons are recommended to install the panel. Once placement of the booth has been determined, make sure the ground is soft enough to push brackets into the ground. Each person should push straight down on one of the bracket tabs with their foot until abs are flush with the ground.

