

INSTALLATION GUIDE

REV 6/20

ITEM: KPAW3, KPAW61, KPAW62

Deluxe Paw Pal® Pet Waste Station

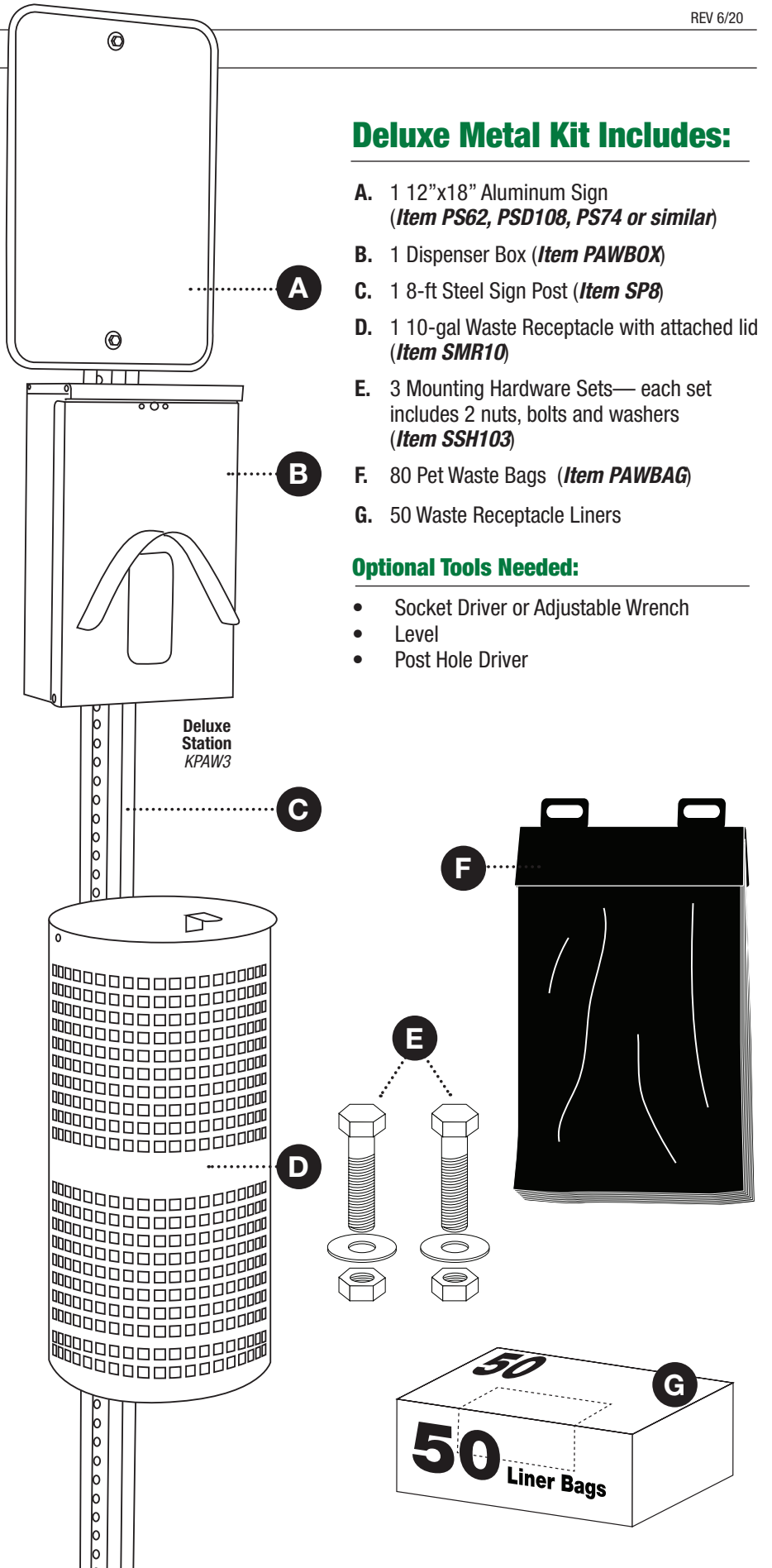
GREAT AMERICAN'S DELUXE PAW PAL® STATIONS:

- ★ Lifetime Guarantee
- ★ Rust-Proof Construction
- ★ Universal Fit holds all bags on header cards or rolls

SAVE 20% PLUS FREE SHIPPING ON EVERY BAG PURCHASE WITH OUR VIP REFILL PROGRAM!

- ★ Volume Discount Pricing—lock in prices at your annual quantity!
- ★ Flexible Delivery—adjust your order frequency and quantities at any time.
- ★ No obligations—this program is designed to save you money, not lock you into commitments. Pause and restart at any time!

CALL & JOIN TODAY!



Deluxe Metal Kit Includes:

- 1 12"x18" Aluminum Sign (*Item PS62, PSD108, PS74 or similar*)
- 1 Dispenser Box (*Item PAWBOX*)
- 1 8-ft Steel Sign Post (*Item SP8*)
- 1 10-gal Waste Receptacle with attached lid (*Item SMR10*)
- 3 Mounting Hardware Sets—each set includes 2 nuts, bolts and washers (*Item SSH103*)
- 80 Pet Waste Bags (*Item PAWBAG*)
- 50 Waste Receptacle Liners

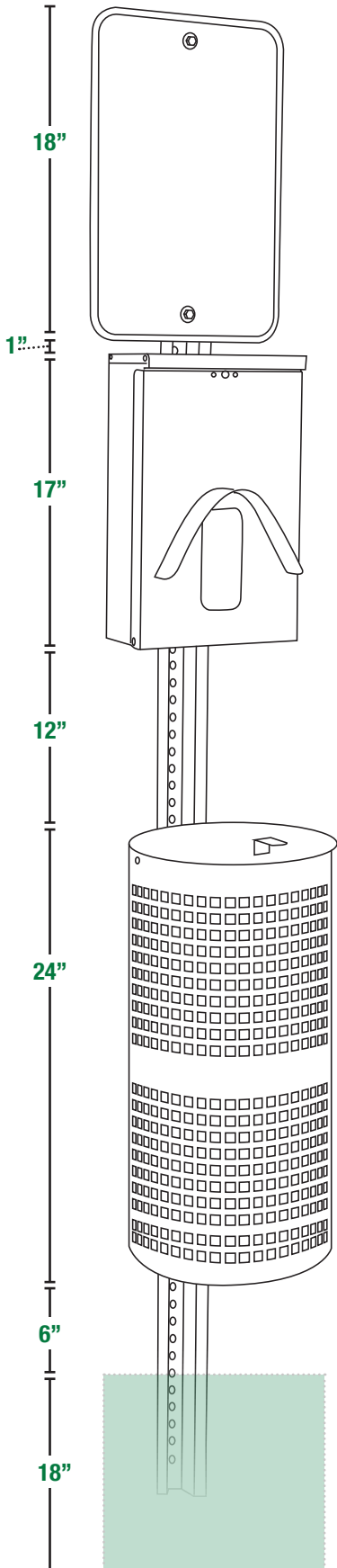
Optional Tools Needed:

- Socket Driver or Adjustable Wrench
- Level
- Post Hole Driver



Need Help? Give us a call! Great American • 1-800-231-0329 • www.gabpproperty.com

1. Pole Installation



Using a post hole driver (not included), drive the sign post (C) approximately 15-18" into the ground. Make sure that the "hollow" or "recessed" side of the post is facing where you want the front of the unit to face. We recommend that the pole is no less than 15" underground to support the weight of the waste receptacle (D) properly. Use a level (not included) to ensure the pole is standing upright and will properly support the unit. Adjust if necessary.

2. Station Assembly

1. Using the first hardware set (E), secure the sign (A) to the top of the steel post (C) with a bolt and washer at the top of the sign and another at the bottom. The washers should be next to the printed side (front) of the sign and the nuts are secured on the outside/back of the post. To ensure the best outcome, make sure the sign is flush with the top of the pole.
2. Using the second hardware set (E), attach the dispenser box (B) directly under the sign leaving about 1" in-between. Open the box, align the holes to the steel post and attach with the two bolts. The washers should be used on the inside of the box with the nuts secured to the outside/back of the post.
3. Using the final hardware set (E), secure the waste receptacle (D) to the steel post at the top and the bottom with the washers facing the inside of the waste can and the nuts on the outside/back of the post. Make sure that the receptacle is approximately 12 inches below the dispenser box to allow for the lid to be open and trash to be easily removed. This should leave your receptacle approximately 6 inches off the ground which will help prevent any damage to the station from bad weather conditions.

3. Station Preparation

Insert one waste liner (G) into the waste receptacle and fold over the rim. Open the dispenser box and insert up to 10 header cards of bags (F) onto the prongs inside the dispenser. Close the station, pull the top bag through the hole and you're all set!

Note: This dispenser fits all types of bags. If you are using boxed bags (PAWBAG3), you will need to slip a converter (Great American Item PAW22) onto the prongs inside the dispenser and insert the boxes into the converter.

Please contact us immediately if you have any missing or damaged items or need any additional assistance. Thank you.

