

ITEMS: JABB3C, JABB17C, JABB18C, JABB20C

Jumbo Reusable Vinyl Balloon Cluster

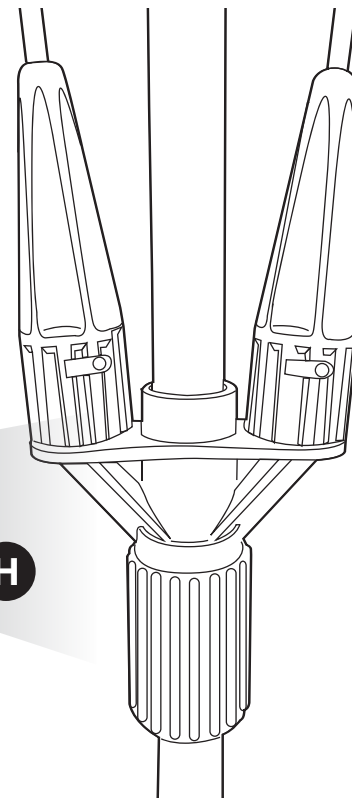
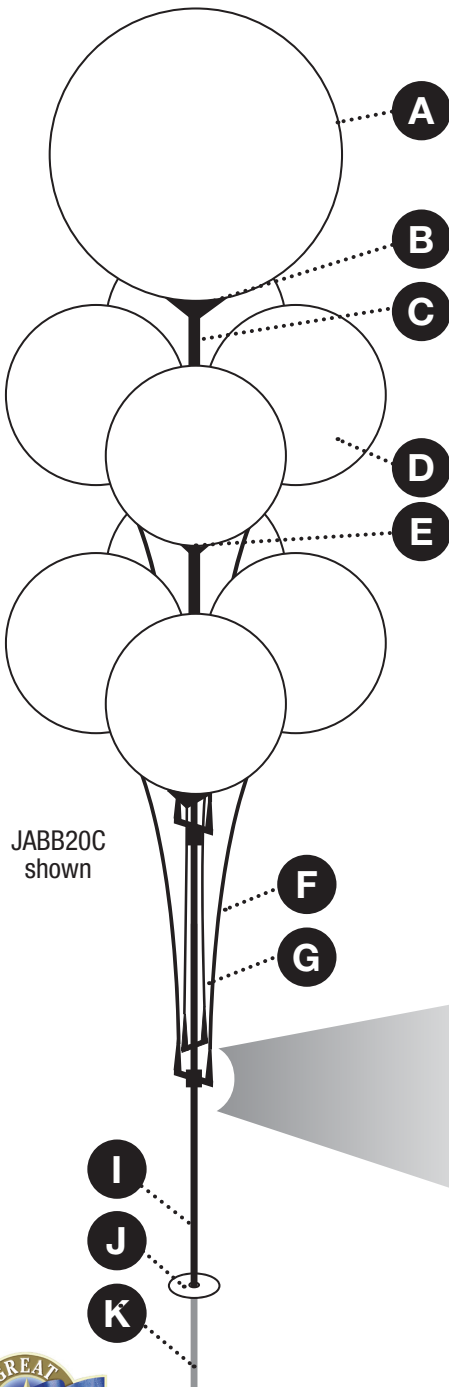
GREAT AMERICAN'S EXCLUSIVE HELIUM-FREE BALLOONS:

- ★ #1 Traffic Stopper
- ★ Durable for Outdoor Use
- ★ Highest Quality Guaranteed
- ★ Easy Twist-Lock Mechanism
- ★ Guaranteed to last 90 days or your money back

Jumbo Cluster Kits Include:

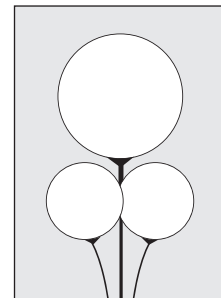
Contents listed are for JABB20C Cluster

- A. 1 Jumbo 27" Reusable Vinyl Balloon (*Item JAB0B*)
- B. 1 Jumbo Balloon Cup (*Item JAB2*)
- C. 1 40" Jumbo Balloon Stem (*Item JAB3*)
- D. 8 Regular 17" Reusable Vinyl Balloons (*Item GAB0BTR*)
- E. 8 Regular Balloon Cups (*Item GABB9*)
- F. 4 40" Regular Balloon Stems (*Item GABB4*)
- G. 4 27" Short Balloon Stems (*Item GABB5*)
- H. 4 Adjustable Branches (*Item ABRANCH*)
- I. 1 Aluminum Pole (*Item GABB10*)
- J. 1 Aluminum Plate (*Item GABBPLATE*)
- K. 1 26.5" Metal Ground Spike (*Item JAB1*)



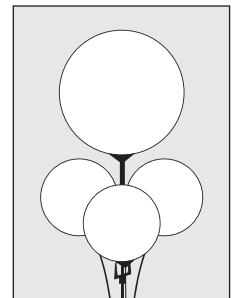
Jumbo Vinyl Balloon Kit Options:

Note: All Jumbo Reusable Vinyl Balloon Kits are assembled in the same manner, although the number and placement of balloons differ by clusters. The differing specifications for each Cluster Kit are listed below.



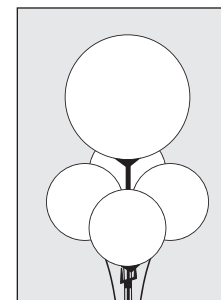
Jumbo Trio Kit
Item JABB3C

Includes 1 Jumbo Vinyl Balloon and 2 Regular Vinyl Balloons.



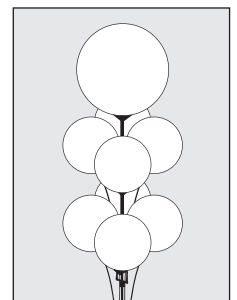
Jumbo Diamond Kit
Item JABB18C

Includes 1 Jumbo Vinyl Balloon and 3 Regular Vinyl Balloons.



Jumbo 5-Balloon Kit
Item JABB17C

Includes 1 Jumbo Vinyl Balloon and 4 Regular Vinyl Balloons.



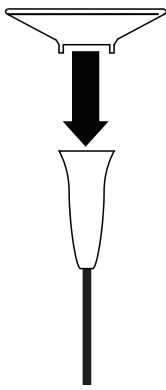
Jumbo 9-Balloon Kit
Item JABB20C

Includes 1 Jumbo Vinyl Balloon and 8 Regular Vinyl Balloons.

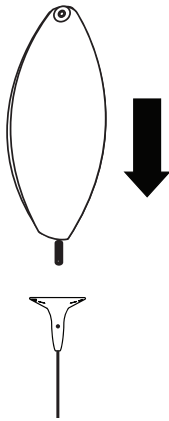


Need Help? Give us a call! Great American • 1-800-231-0329 • www.gabp.com

1. Balloon Assembly:



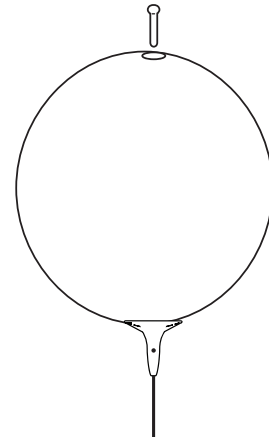
1. Line up the *balloon cup* (B, E) with the grooves on the side of the corresponding *stem* (C, F). Snap cup into place. Repeat for all the stems.



2. Attach the *balloon* (A, D) onto the *stem* (C, F, G) by lining the silver push pin located on the black piece at the bottom of the balloon with the hole on the bottom of the appropriate cup. Lock the balloon in place. Repeat for all balloons.



3. After the *cup* and *stem* are assembled, remove *white air plug* from top of each *balloon* to inflate. Inflate using a hand air pump or an air compressor with a tapered fill nozzle tip.*



4. Reinsert *white air plug* into inflation hole after fully inflated. The maximum diameter should be 27" for the jumbo balloon and 17" for the regular balloons. Repeat for all balloons.

***Note:** Great American's **Item RCOMPRESSOR** is compatible with all of Great American's reusable balloons.

Inflation Tips:

For best results, inflate outdoors with an air compressor. **DO NOT OVERINFLATE. BALLOONS MAY BURST AND CAUSE INJURY.** Inflate balloon just to the point where balloons feel tight.

NOTE: A 20° fluctuation in temperature may cause slight deflation.



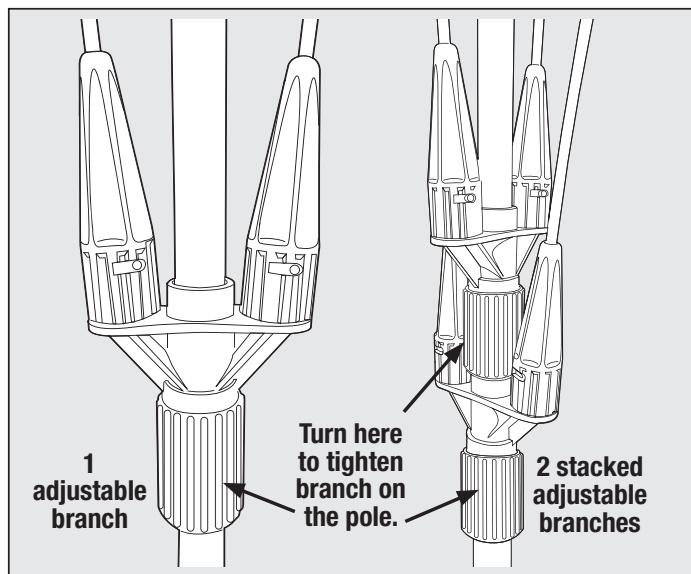
USE EYE PROTECTION WHEN INFLATING!!!

2. Adjustable Branch Assembly:

1. Slide the *adjustable branches* (H) (quantity will vary depending on the size of the Cluster Kit) onto the *Black Pole* (I) and twist to the right to secure the location of the branches on the pole.

Installation Tip: Place each set of 2 branches (holds 4 balloons) perpendicular to each other, approximately 3" apart and about 15" away from the next set of adjustable branches.

2. Place the *Jumbo Balloon* (A) and *stem* (C) onto the *top of the pole*. To attach the *pole* (I) to the stem, slide the smaller end of the pole into the grooves on the stem. Twist to lock into place.



Need Help? Give us a call! Great American • 1-800-231-0329 • www.gabp.com

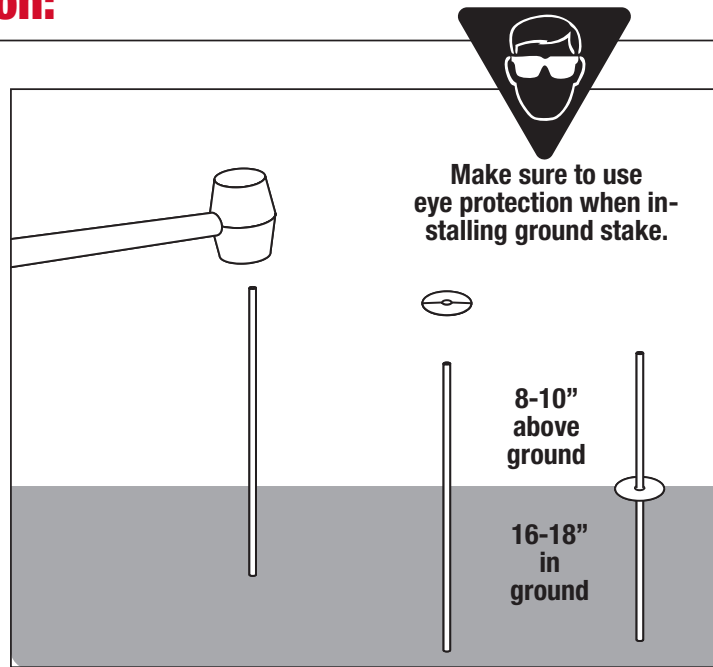
3. Ground Stake Installation:

1. Using a rubber mallet or hammer, pound the *ground stake* (K) into the ground approximately 16-18". Make sure to leave at least 8-10" of the stake visible above ground.

2. Slide the circular *aluminum plate* (J) onto the top of the stake and sit it flush with the ground.

Installation Tips:

- Ensure installation of the stake as vertically as possible. Using a rubber mallet is preferred.
- Do not drive stake into rocky ground or hardened soil. If soil is too dry, try soaking the area for a few minutes to soften it.
- Do not install in the way of any sprinkler systems or utility lines.



Don't have a grassy area to install your Cluster?

Great American's **Item CBASE** is a flat base that can be used on concrete to hold any of our Reusable Vinyl Balloon Clusters. Call for details.

4. Final Assembly:

1. Slide pole with Jumbo balloon attached onto the stake in the ground.

2. To attach the *balloons* (D) to the *branches* (H), you will slide the *stems* (C,F,G) into the grooves on the *adjustable branch* (H) and twist to lock it into place. Repeat for all balloons.

Note: Attach the balloons with the longer stems (F) into the top tier of each adjustable branch set and the balloons with the shorter stems (G) into the next tier of branches. Alternate long stems and short stems as you go down.

3. Loosen the branches and adjust them up and down to space out the balloons to desired height.

