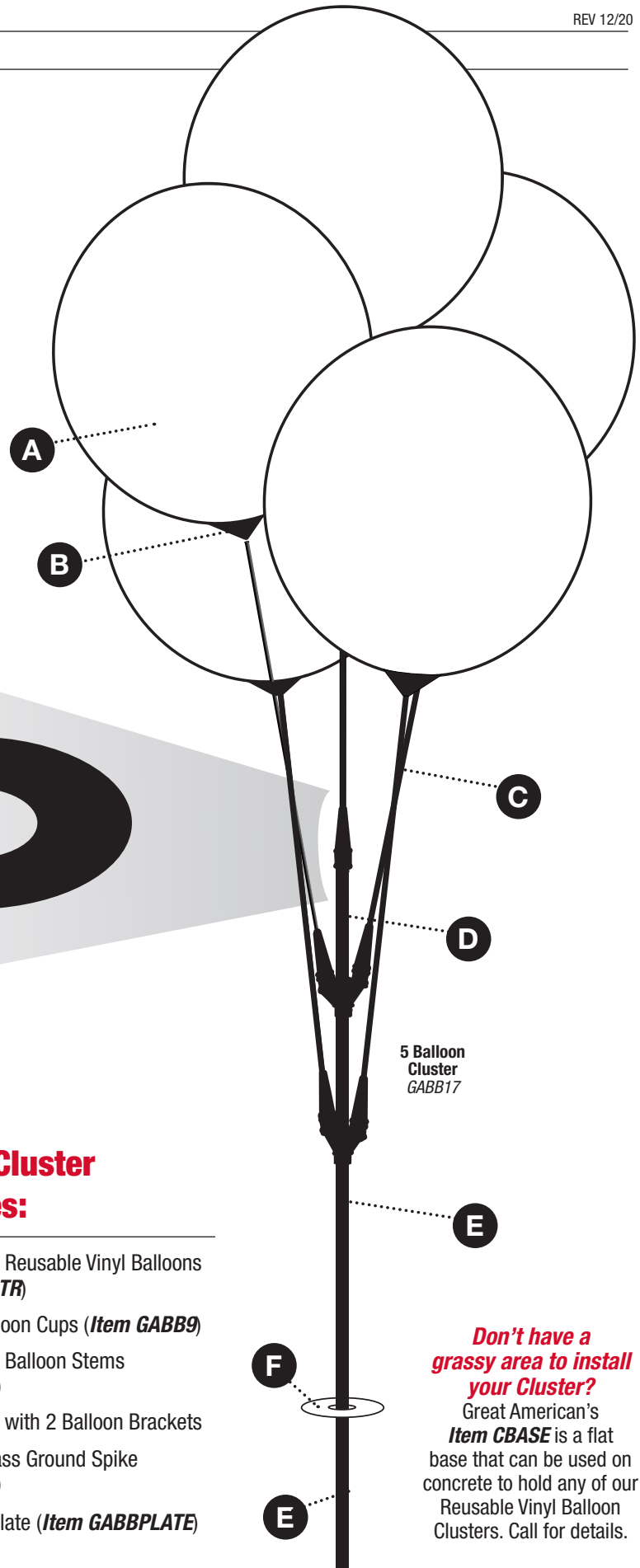
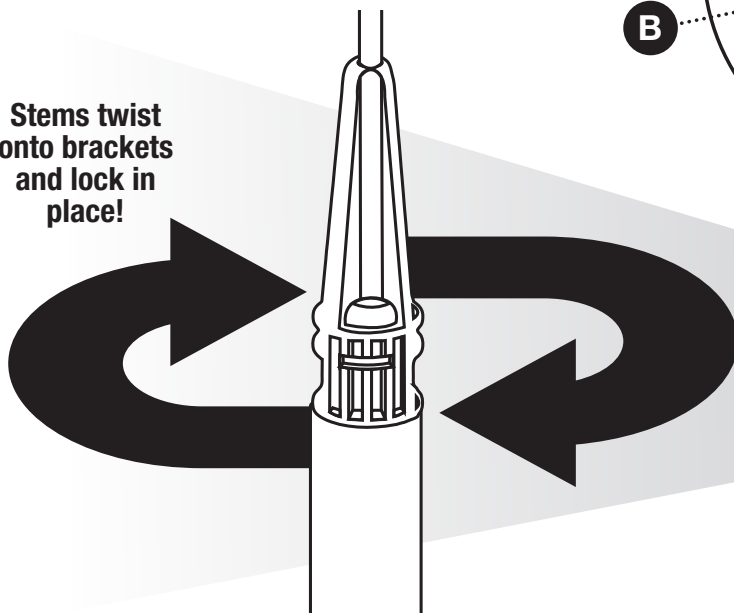


Reusable Vinyl Balloon 5-Balloon Cluster

Stems twist onto brackets and lock in place!



5 Balloon Cluster Kit Includes:

- A. 5 Regular 17" Reusable Vinyl Balloons (Item GABOBTR)
- B. 5 Regular Balloon Cups (Item GABB9)
- C. 5 40" Regular Balloon Stems (Item GABB4)
- D. 1 Cluster Pole with 2 Balloon Brackets
- E. 1 20" Fiberglass Ground Spike (Item GABB1)
- F. 1 Aluminum Plate (Item GABBPLATE)

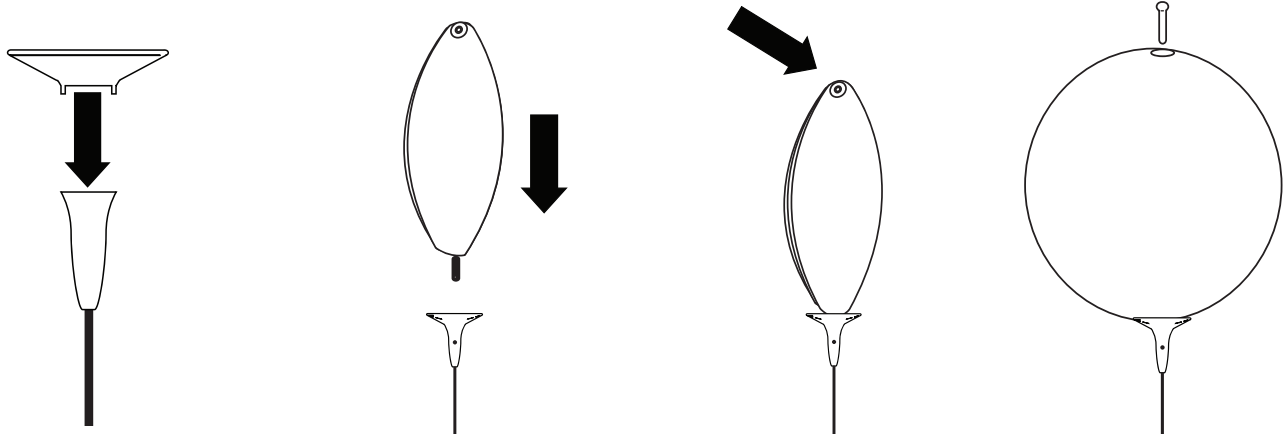
GREAT AMERICAN'S EXCLUSIVE HELIUM-FREE BALLOONS:

- ★ Durable for Outdoor Use
- ★ Highest Quality Guaranteed
- ★ Easy Twist-Lock Mechanism
- ★ Guaranteed to last 90 days or your money back

Don't have a grassy area to install your Cluster?
Great American's Item CBASE is a flat base that can be used on concrete to hold any of our Reusable Vinyl Balloon Clusters. Call for details.



1. Balloon Assembly:



1. Line up the *balloon cup* (B) with the grooves on the side of the *stem* (C). Snap cup into place. Repeat with all stems and cups.

2. Attach the *balloon* (A) onto the *stem* (C) by lining the silver push pin located on the black piece at the bottom of the balloon with the hole on the bottom of the appropriate cup. Lock the balloon in place.

3. After the *cup* and *stem* are assembled, remove *white air plug* from top of each *balloon* to inflate. Inflate using a hand air pump or an air compressor with a tapered fill nozzle tip.*

4. Reinsert *white air plug* into inflation hole after fully inflated. The maximum diameter should be 17". Repeat steps 2-4 with all balloons.

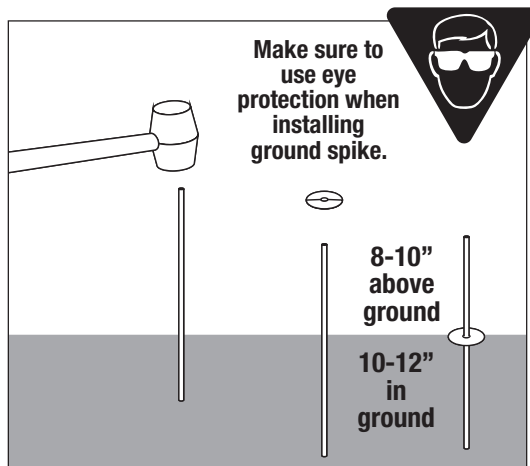
Inflation Tips: For best results, inflate outdoors with an air compressor. **DO NOT OVERINFLATE. BALLOONS MAY BURST AND CAUSE INJURY.** Inflate balloon just to the point where balloons feel tight. NOTE: A 20° fluctuation in temperature may cause slight deflation.



***Note:** Great American's *Item RCOMPRESSOR* is compatible with all of Great American's reusable balloons.

2. Ground Spike Installation:

1. Using a rubber mallet or hammer, pound the *ground spike* (E) into the ground approximately 10-12". Make sure to leave at least 8-10" of the spike visible above ground. Make sure your spike is installed as vertically as possible to ensure it will support the weight of your cluster.



2. Slide the circular *aluminum plate* (F) onto the top of the spike and set it flush with the ground. Slide your *Cluster Pole* (D) onto the exposed spike.

Installation Tips:

- Do not drive spike into rocky ground or hardened soil. If soil is too dry, try soaking the area for a few minutes to soften it.
- Do not install in the way of any sprinkler systems or utility lines.

3. Cluster Assembly:

1. To attach the balloon stems to the pole, align the grooves on the bottom of the balloon stems with the pegs on the cluster pole and twist stems until they lock into place. Repeat with other balloons.

2. If you are using a printed balloon, twist the balloon on the cup to face the direction you desire.

