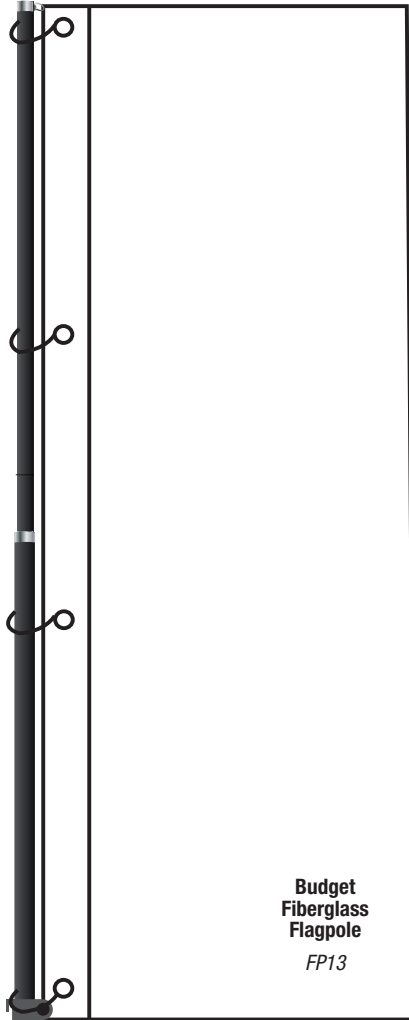


13-foot Budget Fiberglass Flagpole

GREAT AMERICAN'S BUDGET FIBERGLASS FLAGPOLES:

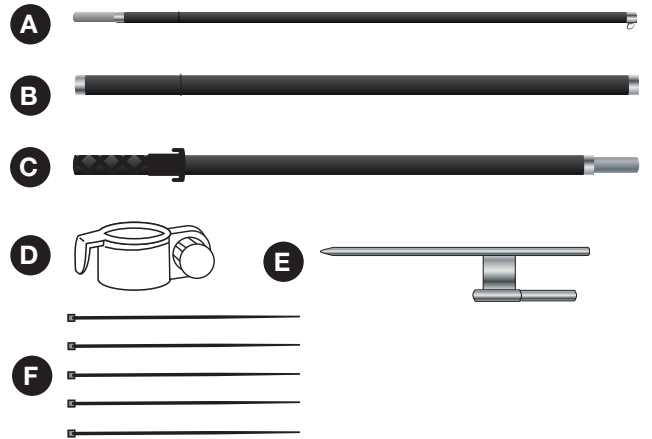
- ★ Assemble in minutes
- ★ No cement required
- ★ Excellent value for tight budgets



Budget Fiberglass Flagpole
FP13

Parts Include:

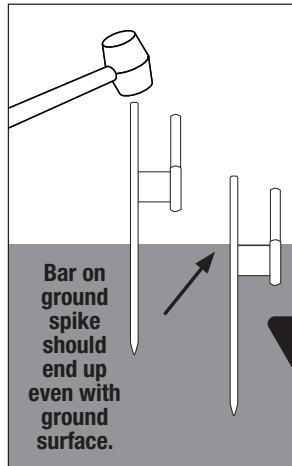
- A. Top Pole Segment with Cap and Ring
- B. Middle Pole Segment
- C. Lower Pole Segment
- D. Anchor Clip
- E. Steel Ground Spike
- F. 5 Zip Ties



Optional Tools Needed:

- Rubber Mallet
- Level
- Scissors

Ground Spike Installation:



Using a rubber mallet, pound the pointed end of the spike (E) into ground until it is halfway under the top edge of the crossbar is flush with the surface. If possible, as you ease the spike into the ground, use a level to ensure it is completely vertical. It is important to make sure that the spike is as vertically level as possible so your flag will stand up straight and support its' weight in windy conditions.



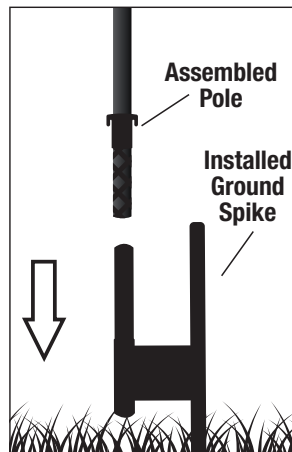
Installation Tips:

- Make sure to use eye protection when installing ground spike.
- Do not drive into rocky ground or hardened soil. If soil is too dry, try soaking the area for a few minutes to soften it.
- Check for sprinkler systems and utility lines when choosing pole location.

Recommended Flag Size(s):

2' x 3', 3' x 5', 3' x 8'

CAUTION: Remove pole from ground spike to replace flag. DO NOT attempt to climb pole or lean a ladder against it as poles are not designed to support the weight of a person.



Pole Assembly:

Insert the tapered end of top pole (A) into the top end of the middle pole (B). Slide the anchor clip (D) onto the bottom of the middle pole (loosely tighten) before sliding the top poles onto the tapered end of the bottom pole (C).

To attach your flag, run a zip tie (F) through the top flag grommet and loosely secure to the ring at the top of the pole. Loosen the anchor clip (on pole B) and align it with the bottom of the flag before tightening and running the zip tie around the clip to secure the flag. Lace and tighten zip ties through remaining grommets and trim ends with scissors. Slide the fully assembled pole with attached flag down onto the spike until it sits flush on the metal crossbar to complete your installation.

