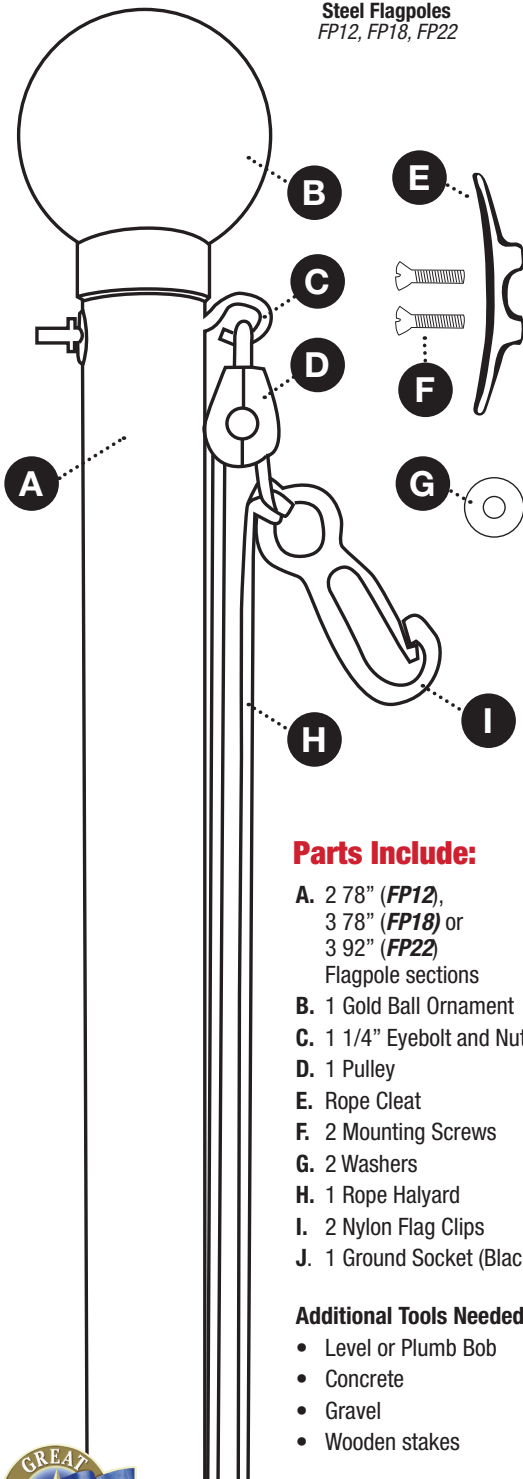


ITEM: FP12, FP18, FP22

# Steel Flagpoles

Steel Flagpoles  
FP12, FP18, FP22



**Parts Include:**

- A. 2 78" (FP12), 3 78" (FP18) or 3 92" (FP22) Flagpole sections
- B. 1 Gold Ball Ornament
- C. 1 1/4" Eyebolt and Nut
- D. 1 Pulley
- E. Rope Cleat
- F. 2 Mounting Screws
- G. 2 Washers
- H. 1 Rope Halyard
- I. 2 Nylon Flag Clips
- J. 1 Ground Socket (Black)

**Additional Tools Needed:**

- Level or Plumb Bob
- Concrete
- Gravel
- Wooden stakes

**Before breaking ground, "Call before you dig" and make sure there are no underground wires, cables, gas lines etc.**

**Recommended Flag/Pole Sizes:**

- 12' poles: 3' x 5' flags
- 18' poles: 3' x 5', 4' x 6' or 3' x 8' flags
- 22' poles: 4' x 6' or 3' x 8' flags

**GREAT AMERICAN'S WHITE STEEL POLES:**

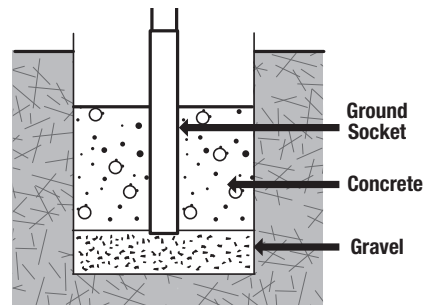
- ★ Unconditional 5-year Guarantee
- ★ Galvanized steel resists rusting

**Ground Socket Installation:**

1. Determine the desirable location and excavate a hole about 10-12" in diameter and 6" deeper than the provided ground socket (J). (**Note:** For packing purposes, the ground socket may come already slipped on to a pole, you will want to remove it for installation.)

2. Slide bottom flagpole section (A) in the ground socket. Plumb pole with a level or plumb bob and tie stakes at 3 points around the excavation for support.

3. When secure, mix concrete and fill hole to a depth 6" to 8" from top of ground socket. This will leave enough top soil to maintain a seamless lawn. **A final check for exact vertical plumbness is recommended before concrete sets.** When concrete is set, fill the hole to ground level and replace sod. Remove bottom flagpole section (A) for final assembly.



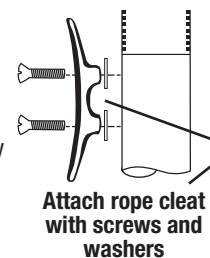
Fill with concrete 6" from the top of the ground socket. When concrete sets, fill around pole with ground cover.

**Flagpole Assembly:**

1. Locate the pole section (A) with one hole near the end (this is the top portion). Install the eyebolt (C) and pulley (D) through the hole in the flagpole and secure with supplied nut. Slip the rope (H) through the pulley until the loose ends are even.

2. Locate the pole section (A) with two pre-drilled holes (the bottom pole section). Secure the rope cleat (E) by connecting it to the pole with the supplied screws (F) and washers (G).

3. Assemble the remaining pole pieces (A) ensuring the pulley and the rope cleat are on the same side of the pole and place the ball ornament on top. (**Note:** if the ball ornament is not perfectly round, immerse it in warm water for a short time.) Carefully tilt the assembled flagpole into the ground socket.



Attach rope cleat with screws and washers

4. Once the flagpole is installed, slip each end of the rope through the small end of each nylon clip (I) and tie a loose knot around each clip. Next tie the two ends of rope together in a small tight knot located between the two clips. Space each nylon clip an equal distance from the knot, far enough apart to keep your flag taut. Once you are confident of your spacing, pull the knots tight around each clip.

5. Attach flag by compressing the tongue of the clip and slipping the flag grommet over the open end. Raise your flag and secure the rope to the cleat.

**CAUTION: Remove pole from sleeve to replace halyard. DO NOT attempt to climb pole or lean a ladder against it as poles are not designed to support the weight of a person.**

