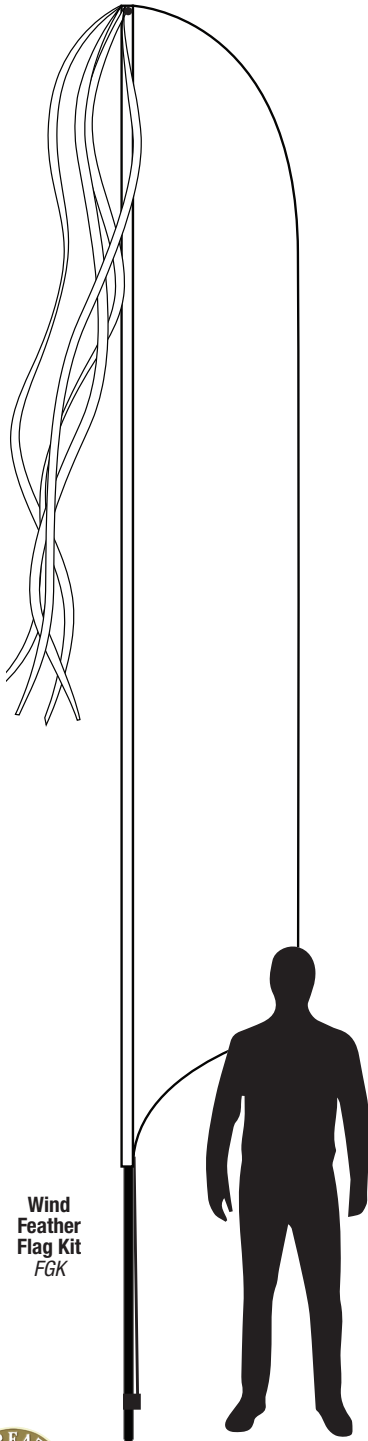


ITEMS: FGK, FGМК

Wind Feather Flag Kit

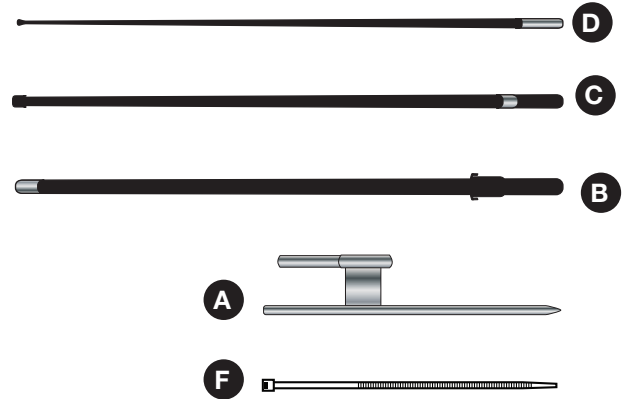


Wind Feather Kits Include:

- A. 1 Ground Spike
- B. 1 Tapered Pole Segment with Clip
- C. 2 Tapered Pole Segments
- D. 1 Flex Pole Segment
- E. 1 Windfeather Flag (*Item FG*)
- F. 1 Ziptie
- G. 1 Streamer (12' long)

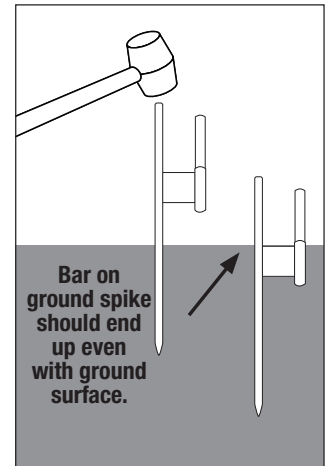
Optional Tools Needed:

- Rubber Mallet or Hammer
- Level

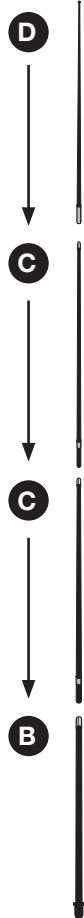


Ground Spike Installation:

Using a rubber mallet or hammer, pound the pointed end of the ground spike into ground until the top edge of the crossbar is flush with the surface. If possible, as you ease the spike into the ground, use a level to ensure it is completely vertical. It is important to make sure that the spike is as vertically level as possible so your flag will stand up straight and support its' weight in windy conditions.



Flagpole Assembly:



1. To assemble the flagpole, start by connecting the two "C" poles to each other. Next, take the bottom segment, the tapered pole with clip (B), and slide the wide end of the connected C poles onto the tapered end of pole B until it is tightened securely and doesn't spin around. *It is important that "C" poles are the middle segments of the pole.*
2. Finish the pole by sliding the flexible pole (D) into the top of the assembled poles. Make sure that the four pole pieces are secured tightly to each other.
3. Starting at the top end of the pole, slide the flag sleeve down the pole. Tie knot in the bungee strings at the bottom of the flag and secure the base of the flag to the clip at the base of pole B. Lastly, use the ziptie (F) to attach the streamer (G) to the top of flag through the grommet.
4. Slide open hole in the bottom of pole onto the ground spike and you're done!

Note: If you are having problems with your flagpole spinning around and getting twisted, make sure that the pole segments are secured tightly. The tapered ends will allow the top of the pole to spin around and the flag to get tangled if they are not pushed all the way together.

GREAT AMERICAN'S WIND FEATHER KITS:

- ★ Assembles in minutes!
- ★ Durable for Outdoor Use
- ★ Stands 17 feet high - our tallest marketing flags!



Need Help? Give us a call! Great American • 1-800-231-0329 • www.gabp.com