

6200 & 6400 Series Assembly Instructions

Parts List			
Double/Single Park-A-Bike			
Item #	Part #	Qty(Dbl/Sgl)	Description
①	6201-63	8/6	3/8"-16 x 3-1/4" hex bolt
②	1070-73	8/6	3/8"-16 nut
③	1070-85	8/6	3/8" split lock washer

Note-
Double sided racks are shown in illustrations. Single sided racks include one brace pole only.

Step 1 -

Align holes in grid section with mating holes in end section (Fig. 2)

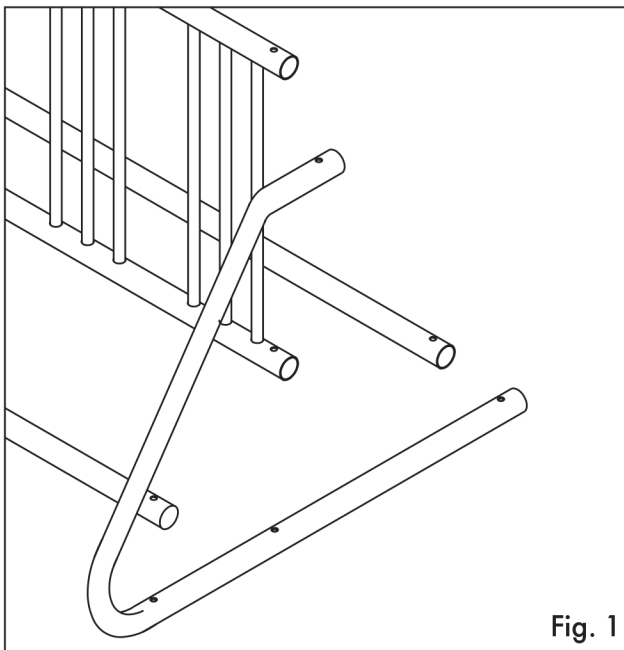


Fig. 1

Step 5 -

Attach brace poles to each end section, securing as in step 4 (Fig. 2).

Step 6 -

Tighten all hardware completely.

Step 2 -

At the top of grid, insert a 3/8"-16 x 3-1/4" hex head bolt down through tubes and fasten finger tight with a 3/8" split lock washer and 3/8"-16 nut (Fig. 3).

Repeat at opposite end of grid.

Step 3 -

At the bottom of grid, once again insert bolt down through tubing and fasten finger tight with a 3/8" split lock washer and 3/8" nut (Fig. 2).

Repeat at opposite end of grid.

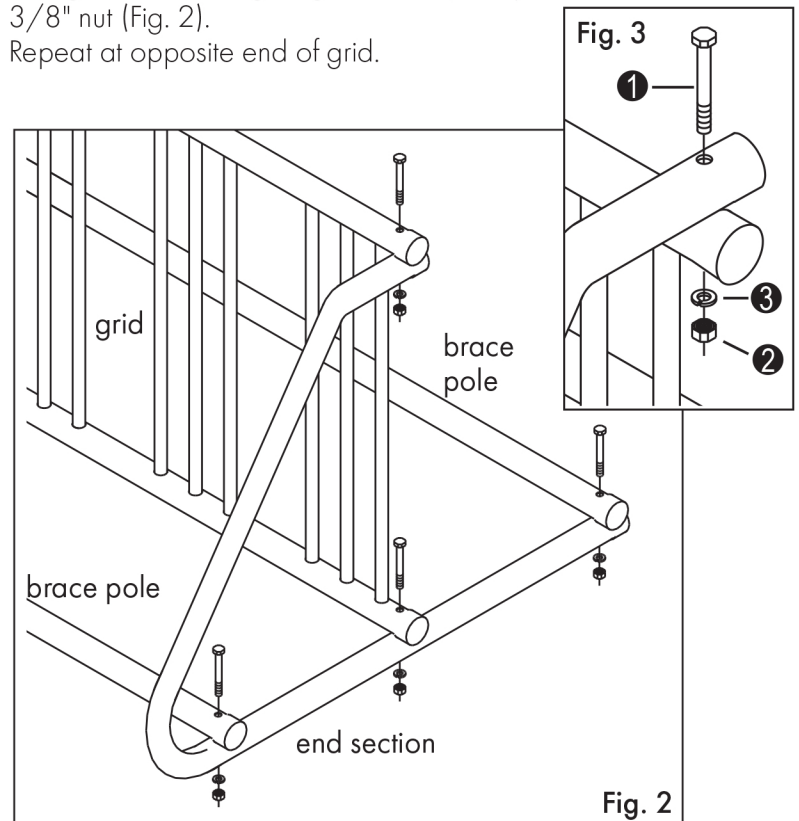


Fig. 2

WARNING: Manufacturer and seller expressly disclaim any and all liability for personal injury, property damage or loss, whether direct, indirect, or incidental, resulting from the incorrect attachment, improper use, inadequate maintenance, or neglect of this product.

WARRANTY: We warrant this product to the first consumer to be free from defect in material and workmanship for a period of one year from date of purchase. Please retain your sales slip for your records. Any product or part thereof found to be defective within that period will be replaced without charge provided that: (1) the product was not misused; (2) no alterations or modification were made; (3) its failure resulted from a defect in material or workmanship and not from normal wear expected in the use of the product; (4) the product or part is delivered, freight prepaid. Manufacturer's only obligation shall be to replace such products or parts proved to be defective.